

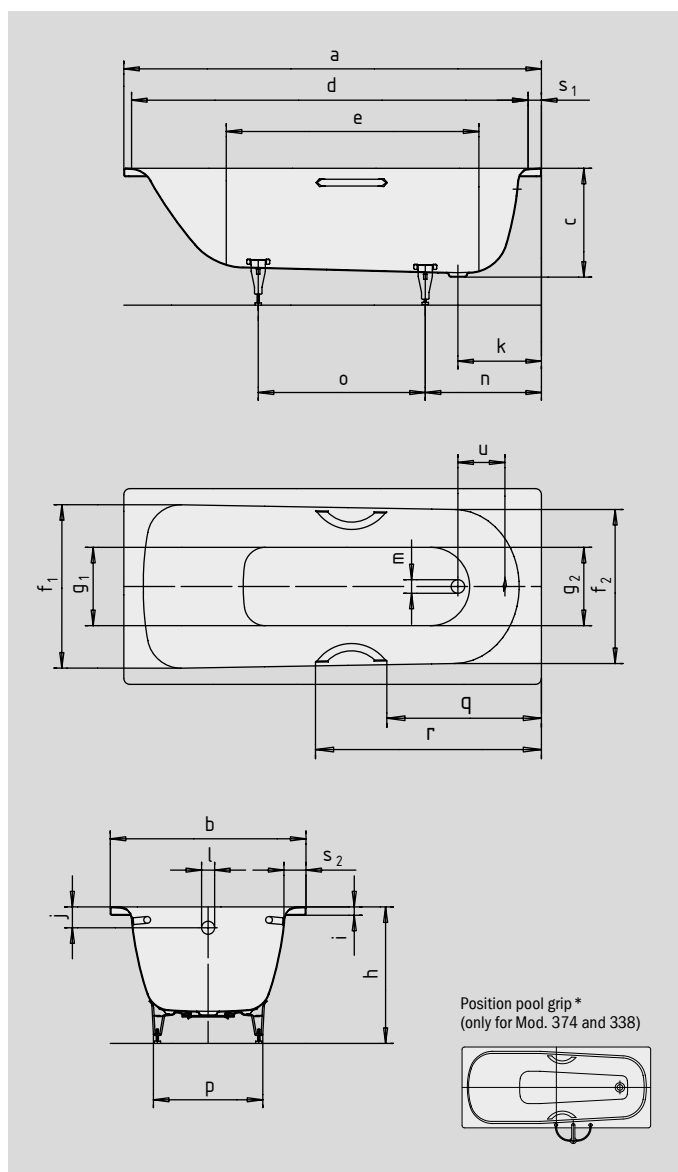
# SANIFORM PLUS

## SANIFORM PLUS STAR

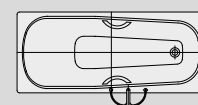
- one-seater bath with waste at foot end
- classic four-cornered model
- made of KALDEWEI steel enamel
- also available with grips
- model available with 2 standard tap holes without extra charge (180 mm centres)



Similar illustration



Position pool grip\*  
(only for Mod. 374 and 338)



Model No.	360-1/330	361-1/331	362-1/332	363-1/335	371-1/334	372-1/333	373-1/336	374*/338	375-1/337	
External length	a	1400	1500	1600	1700	1700	1600	1700	1800 mm	
External width	b	700	700	700	700	730	750	750	800 mm	
Depth	c	410	410	410	410	410	410	430	430 mm	
Internal length (top)	d	1230	1330	1430	1530	1530	1430	1530	1630 mm	
<b>Internal length (bottom)</b>	<b>e</b>	<b>850</b>	<b>950</b>	<b>1050</b>	<b>1150</b>	<b>1150</b>	<b>1050</b>	<b>1150</b>	<b>1200</b>	<b>1250 mm</b>
Internal width (top)	f <sub>1</sub> ; f <sub>2</sub>	550; 530	550; 530	550; 530	550; 530	550; 530	600; 580	600; 580	630; 560	675; 640 mm
Internal width (bottom)	g <sub>1</sub> ; g <sub>2</sub>	390; 350	390; 350	390; 350	390; 350	390; 350	440; 400	440; 400	430; 380	520; 450 mm
Height with feet	h	545-560	545-560	545-560	545-560	545-560	545-560	545-560	565-580	555-560 mm
Height of rim	i	32	32	32	32	32	32	32	32	32 mm
Distance top edge to centre of overflow hole	j	63	63	63	63	63	63	63	70	75 mm
Distance bath edge to centre of drain hole	k	310	320	310	310	310	310	310	285	310 mm
Diameter of overflow hole	l	52	52	52	52	52	52	52	52	52 mm
Diameter of drain hole	m	52	52	52	52	52	52	52	52	52 mm
Distance foot end of bath edge to centre of foot	n	455	445	450	450	450	445	445	450	470 mm
Distance between the feet	o	445	555	600	740	740	640	750	640	830 mm
Max. width of feet	p	380	380	380	380	370	430	430	430	480 mm
Distance bath edge (foot end) to where grip/handle starts	q	484,5	534,5	584,5	634,5	634,5	584,5	634,5	634,5	684,5 mm
Distance bath edge (foot end) to where grip/handle ends	r	758,5	808,5	858,5	908,5	908,5	858,5	908,5	908,5	958,5 mm
Width of rim (foot end; lengthwise)	s <sub>1</sub> ; s <sub>2</sub>	70; 75	70; 75	70; 75	70; 75	85; 90	70; 75	70; 75	60; 55	70; 75 mm
Distance between centre holes	u	212	222	212	212	212	218	218	221	216 mm
Water volume** in litres		67	82	93	111	111	107	123	145	150
Weight of the enamelled bath in kg		40	40	47	48	49	47	50	55	55
Anti-slip		∅ 288	∅ 288	∅ 288	∅ 288	∅ 288	∅ 288	∅ 288	∅ 288	∅ 288 mm
Full anti-slip		600 x 220	600 x 220	600 x 220	850 x 240	850 x 240	600 x 220	900 x 300	600 x 220	900 x 300 mm

Subject to technical alterations, tolerances and errors. Similar illustration.  
\*\* 70 litres displacement on average.

**KALDEWEI**