

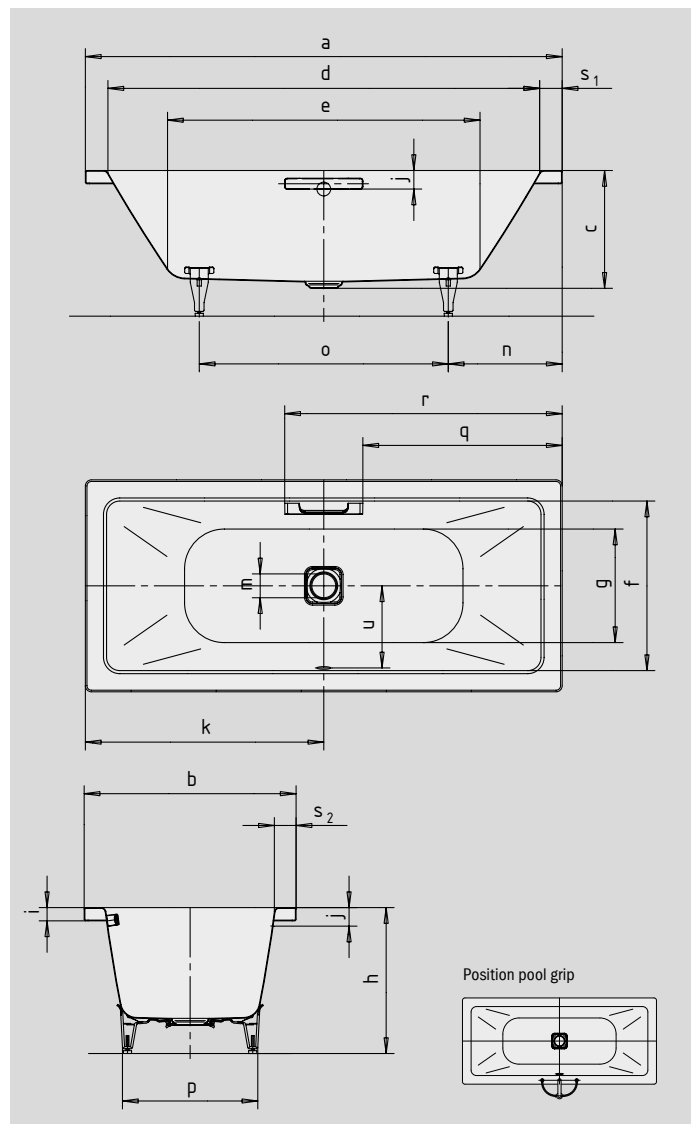
CONODUO

- straightlined, purist design
- enamelled waste cover and overflow knob integrated in the bath design
- bathing with a friend: two identical back rests and centrally positioned waste
- classic four-cornered model
- made of KALDEWEI steel enamel
- designed by Sottsass Associati
- also available in black



Similar illustration

To order the bath with pre-drilled grip holes on one side, please order model xxxx**1011**xxxx.



GRIP ELEGANT PURISM



Model No.		734	735
External length	a	1900	2000 mm
External width	b	900	1000 mm
Depth	c	445	445 mm
Internal length (top)	d	1740	1800 mm
Internal length (bottom)	e	1280	1340 mm
Internal width (top)	f	740	800 mm
Internal width (bottom)	g	620	680 mm
Height with feet	h	555-590	555-590 mm
Height of rim	i	50	50 mm
Distance top edge to centre of overflow hole	j	70	70 mm
Distance bath edge to centre of drain hole	k	950	1000 mm
Diameter of overflow hole	l	52	52 mm
Diameter of drain hole	m	90	90 mm
Distance foot end of bath edge to centre of foot	n	570	620 mm
Distance between the feet	o	760	760 mm
Max. width of feet	p	610	675 mm
Distance bath edge to where grip/handle starts	q	802,5	852,5 mm
Distance bath edge to where grip/handle ends	r	1097,5	1147,5 mm
Width of rim (foot end; lengthwise)	s ₁ ; s ₂	80; 80	100; 100 mm
Distance between centre holes	u	360	390 mm
Water volume** in litres		220	260
Weight of the enamelled bath in kg		66	75
Anti-slip		500 x 500	500 x 500 mm
Full anti-slip		980 x 500	980 x 500 mm

Subject to technical alterations, tolerances and errors. Similar illustration.
 ** 70 litres displacement on average.

KALDEWEI